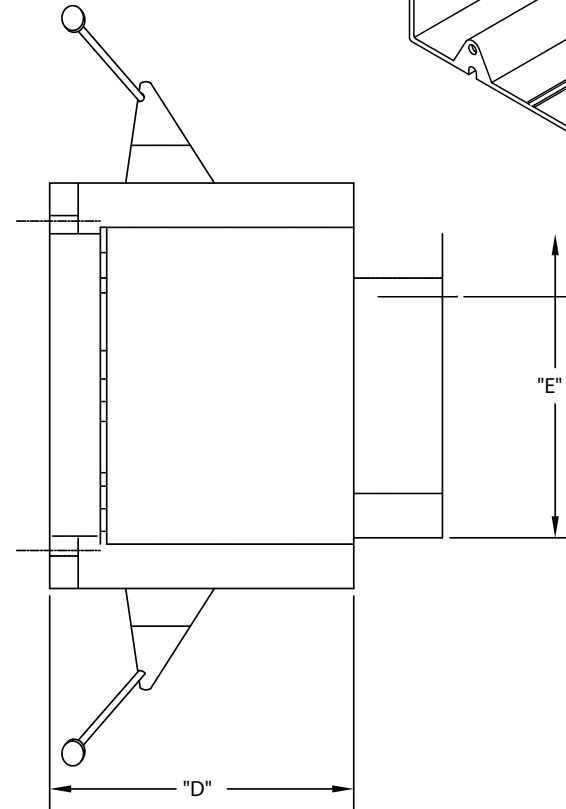
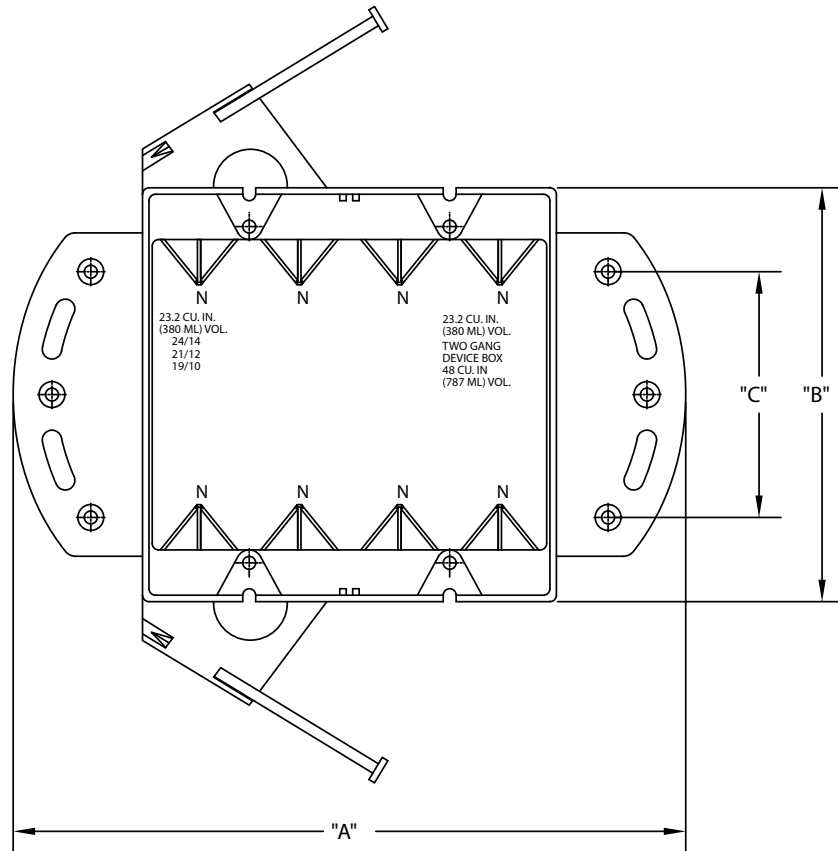
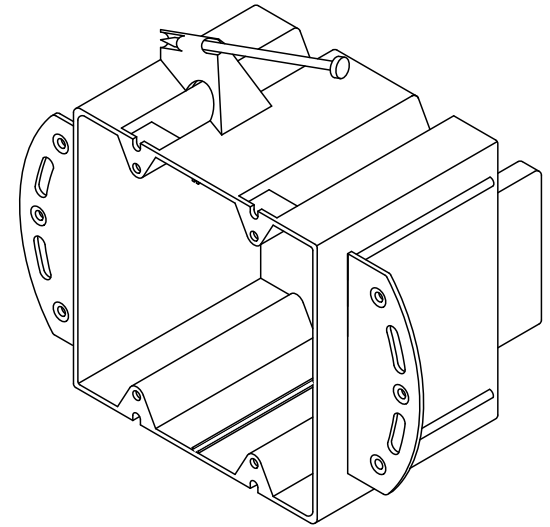


PART NUMBER	SIZE	"A"	"B"	"C"	"D"	"E"
EZ48DN	3 7/8" X 3 7/8" X 3 7/8" Enhanced angled nails for quick mounting between studs eight clamps	6 11/16 "	4"	2 5/8"	3"	2 7/8"



CANTEX

INC.

FORT WORTH, TEXAS



48 Cubic Inch Nail On
Multi-Gang Nonmetallic Max Capacity Boxes

Drawn By: CD Branch

Date: 12/01/07

Ref. EZ48DN