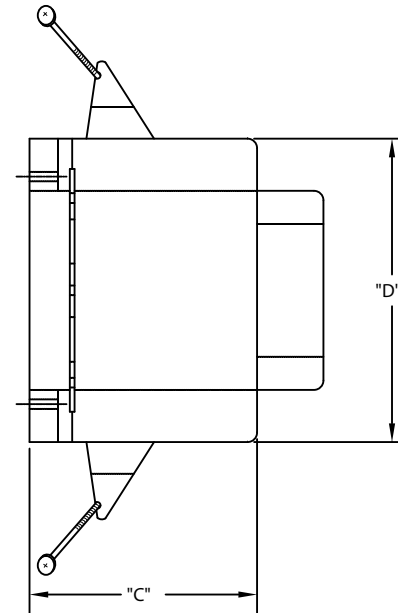
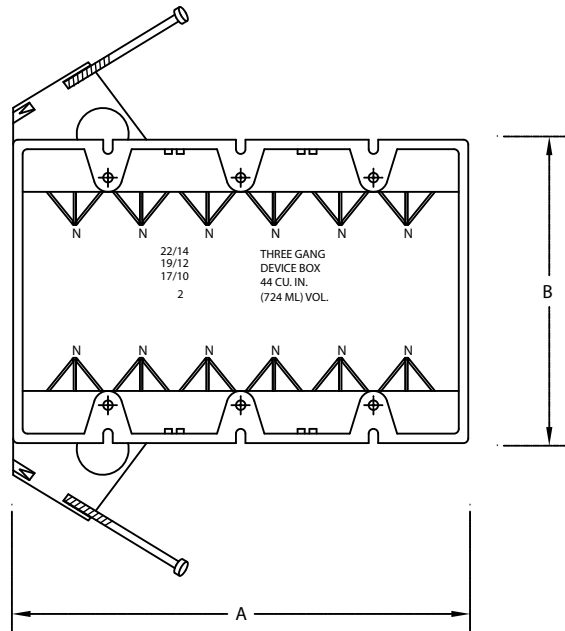
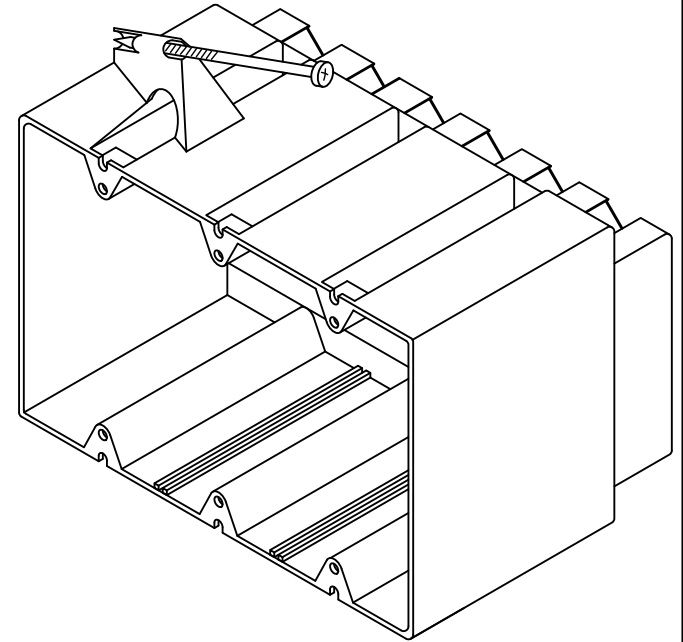


PART NUMBER	SIZE	"A"	"B"	"C"	"D"
EZ44TNZ	5 7/8" x 3 7/8" x 3 7/8" Enhanced angled nails for quick mounting between studs Twelve clamps	5.8"	3.7"	2.75"	3.7"



UL Listed
 UL File # R18795 & E98429
 UL Category Codes CEYY, QBWY & QCMZ
 UL Control Number 39N9
 UL 2 Hour Wall Fire Rated
 Suitable for masonry walls
 Material is Rigid PVC
 See NEC Article 314 for use



CANTEX
 INC.
 Fort Worth, TEXAS

Three Gang EZ Box 44 Cubic Inch Nail On

Drawn By: CD Branch

Date: 12/01/07

Ref. EZ44TN