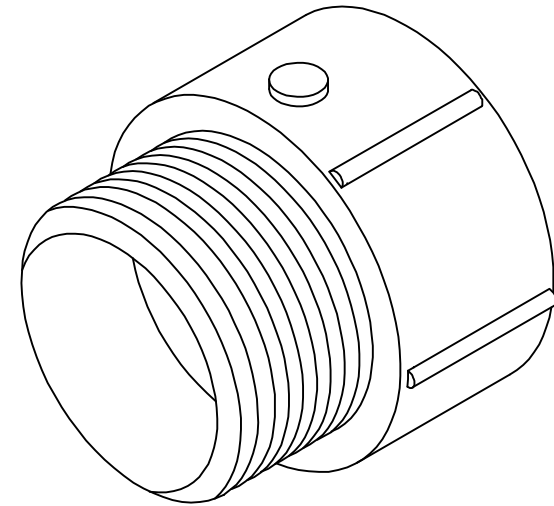
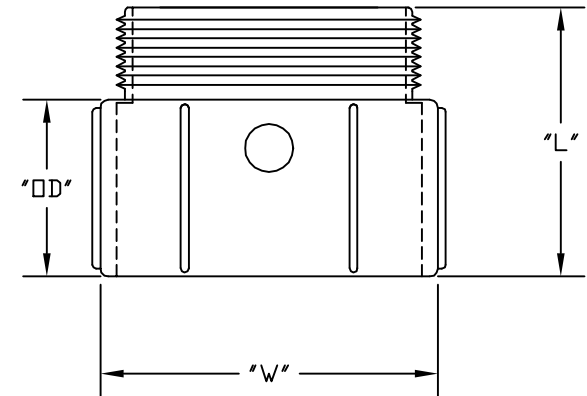


PART NUMBER	TRADE SIZE	"L"	"W"	"OD"
5140108	2	2 $\frac{3}{16}$ "	2 $\frac{1}{16}$ "	1 $\frac{3}{8}$ "
5140109	2 1/2	2 $\frac{7}{8}$ "	3 $\frac{5}{16}$ "	2"
5140110	3	3	3 $\frac{15}{16}$ "	2 $\frac{3}{16}$ "
5140111	3 1/2	3 $\frac{3}{16}$ "	4 $\frac{1}{2}$ "	2 $\frac{9}{16}$ "
5140112	4	3 $\frac{7}{16}$ "	5	2 $\frac{1}{16}$ "
5140113	5	4 $\frac{3}{4}$ "	6 $\frac{1}{4}$ "	3
5140114	6	4 $\frac{15}{16}$ "	7 $\frac{5}{16}$ "	2 $\frac{1}{16}$ "
*5140115D	8	-	-	-



UL Listed
 UL File # E81590
 UL Category Code DWTT
 UL Control Number 93G7
 Meets NEMA TC3 Requirements
 CSA Certified
 See NEC Article 352 for use
 Material is Rigid PVC



CANTEX

INC.
MINERAL WELLS, TEXAS

Terminal Adapters 2" & Larger
Schedule 40 & 80 Fittings

Drawn By: CD Branch

Date:09/12/07

Ref.