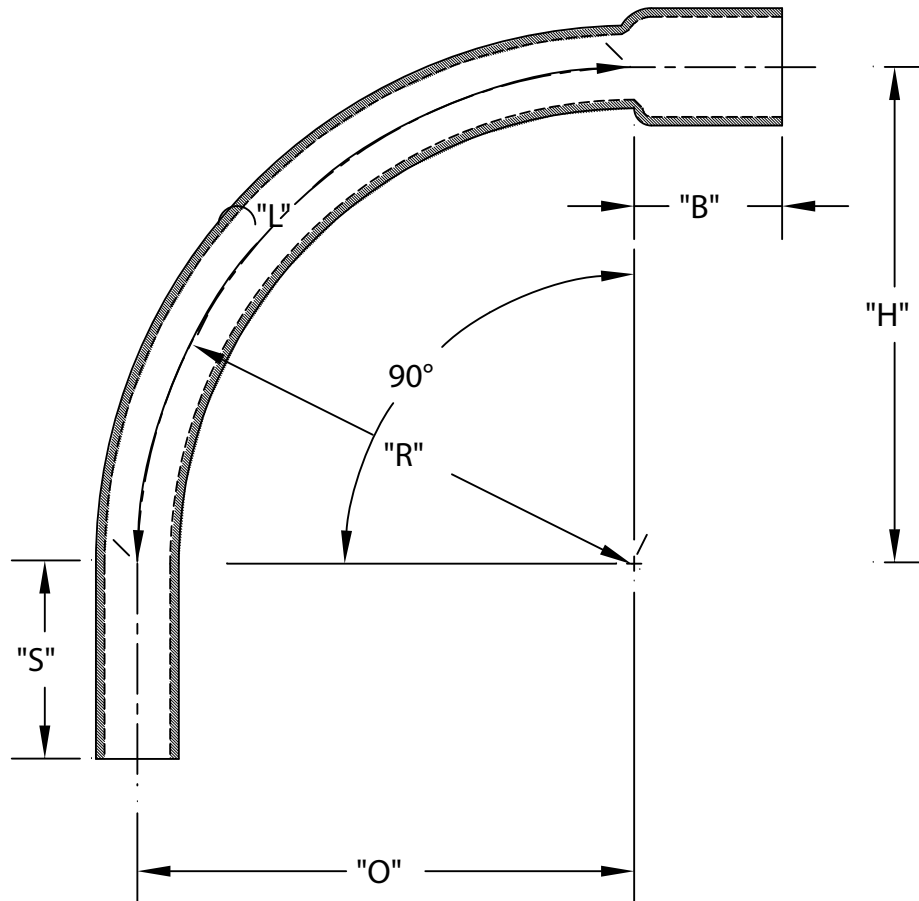


PART NUMBER	SIZE	"R"	"O"	"H"	"S" MIN	"B" MIN	"L"
5233844	1"	18"	18"	18"	1 7/8"	1 1/2"	28 1/4"
5233923	1 1/4"	18"	18"	18"	2"	1 1/2"	28 1/4"
5233839	1 1/2"	18"	18"	18"	2"	2"	28 1/4"
5233846	2"	18"	18"	18"	2"	2 1/4"	28 1/4"
5233856	2 1/2"	18"	18"	18"	3"	2 1/4"	28 1/4"
5233850	3"	18"	18"	18"	3 1/8"	2 1/2"	28 1/4"



ETL LISTED
 CONFORMS TO UL651
 ETL CONTROL #3107144
 CONFORMS TO NEMA TC3
 SEE NEC ARTICLE 352 FOR USE
 MATERIAL IS RIGID PVC
 BEND TOLERANCE IS $\pm 2^\circ$
 "B" TOLERANCE IS $-1/8", +1/2"$



CANTEX
INC.
Fort Worth, TEXAS

90° Elbows Bell End
Schedule 40 18" Radius Elbows

Drawn By: CD Branch

Date: 10/15/07

Ref.