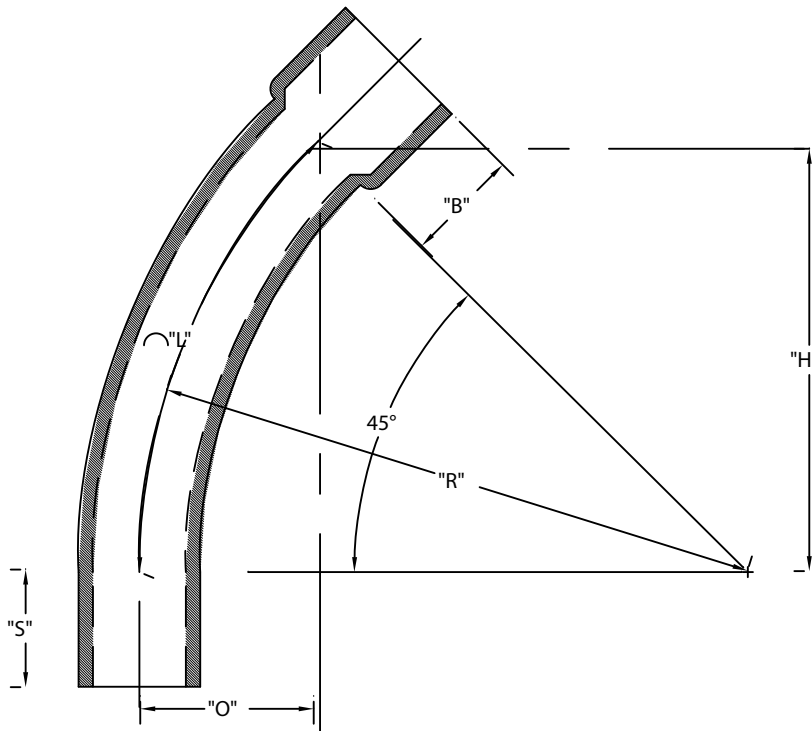


PART NUMBER	SIZE	"R"	"O"	"H"	"S" MIN	"B" MIN	"L"
5233919	1"	36"	10 1/2 "	25 7/16 "	1 7/8 "	1 1/2 "	28 1/4 "
5233956	1 1/4 "	36"	10 1/2 "	25 7/16 "	2"	1 1/2 "	28 1/4 "
5234083	1 1/2 "	36"	10 1/2 "	25 7/16 "	2"	2"	28 1/4 "
5233775	2"	36"	10 1/2 "	25 7/16 "	2"	2"	28 1/4 "
5233801	2 1/2 "	36"	10 1/2 "	25 7/16 "	3"	2 1/4 "	28 1/4 "
5233779	3"	36"	10 1/2 "	25 7/16 "	3 1/8 "	2 1/2 "	28 1/4 "
5233939	3 1/2 "	36"	10 1/2 "	25 7/16 "	3 1/4 "	3 1/4 "	28 1/4 "
5233777	4"	36"	10 1/2 "	25 7/16 "	3 3/8 "	3 1/4 "	28 1/4 "
5233780	5"	36"	10 1/2 "	25 7/16 "	3 5/8 "	4 1/4 "	28 1/4 "
5133894	6"	36"	10 1/2 "	25 7/16 "	3 3/4 "	5"	28 1/4 "



ETL LISTED  
 CONFORMS TO UL651  
 ETL CONTROL #3107144  
 CONFORMS TO NEMA TC3  
 SEE NEC ARTICLE 352 FOR USE  
 MATERIAL IS RIGID PVC  
 BEND TOLERANCE IS  $\pm 2^\circ$   
 "B" TOLERANCE IS  $-\frac{1}{8}"$ ,  $+\frac{1}{2}"$



**CANTEX**  
 INC.  
 Fort Worth, TEXAS

45° Elbows Bell End  
 Schedule 40 36" Radius Elbows

Drawn By: CD Branch

Date: 10/15/07

Ref.