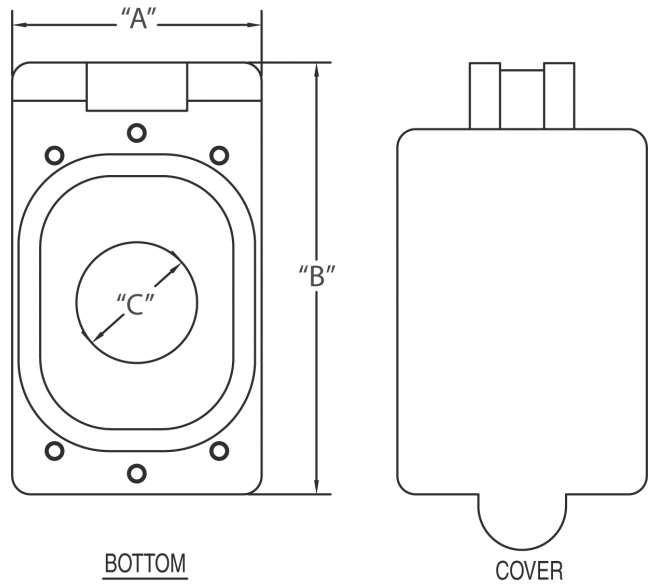


Single Gang Receptacle Cover



CANTEX 1-Gang Weatherproof Receptacle Covers are designed for covering electrical plugs with exposed weatherproof boxes.

- Includes gasket and screws
- For use in wet or damp locations
- Durable non-conductive PVC will not rust or corrode
- UL Listed
- Made in USA



Part Number	Trade Size	Carton Quantity	"A"	"B"	"C"
5133350	15 amp	10	2.850	4.930	1.375
5133320	20 amp	10	2.850	4.930	1.625
5133321	30 amp	10	2.850	4.930	1.722
5133322	50 amp	10	2.850	4.930	2.187

Dimensions are nominal



SINGLE SOURCE FOR PVC ELECTRICAL

CANTEX offers a complete line of PVC Exposed Boxes as part of a full line PVC electrical products. The CANTEX Exposed Box line includes multiple sizes of Type FSC, Type FSE, Type FSS, Type FSCC, Type FDC, and Type FDE and Type FD-Blank Exposed Boxes. The line also includes Blank Single and Double Gang Covers as well as switch and toggle switch covers for Exposed Boxes.

With several decades of experience manufacturing PVC conduit, fittings and accessories, you can trust CANTEX to provide quality products. To see our complete line of PVC Conduit Bodies or our full line of PVC electrical products visit www.cantexinc.com.