

## EZ BOX® Heavy Wall, 25 cu. in., New Work, Nail-on Ceiling Fan Box with Wire Clamps and L-Bracket



2 hour fire-rated

EZ25CF-HW EZ BOX ceiling fan box is a nail-on, heavy duty ceiling fan box for new work (construction) applications for residential and light commercial projects. It features a harder shell that will not break or change shape in extreme conditions. It also features an attached metal nail-on L-bracket for easy installation and added support. CANTEX ceiling boxes are constructed with durable polycarbonate for added resilience.

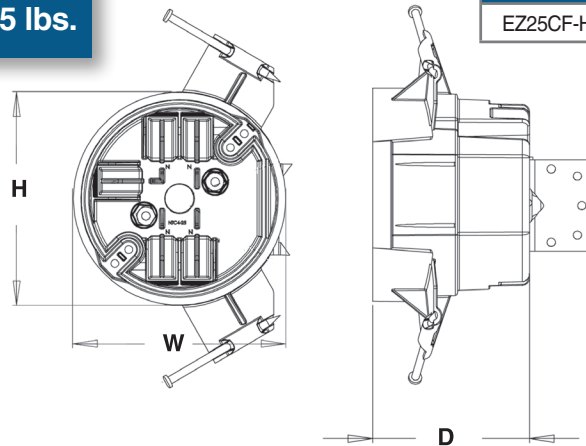
- The harder shell resists flexing and holds its shape in extreme conditions
- L-bracket with nails with easier installation
- 5 increased strength wire clamps for secure wiring
- Engineered for easy, cost saving installation and constructed with durable polycarbonate for extra strength
- ETL Listed, ETL 2 Hour Fire Rated
- Made in USA

- Supports fixtures up to 50 lbs.
- Supports ceiling fans up to 35 lbs.

### 25 Cubic Inch

Part Number	Carton Quantity	Height	Width	Depth
EZ25CF-HW	24	4.000	4.000	3.000

Dimensions are nominal



## The CANTEX EZ BOX® Line

The CANTEX EZ BOX® line offers a complete selection of non-metallic electrical switch, outlet and ceiling boxes in multiple sizes and styles to meet all your new construction and renovation project needs. Whether you need EZ nail-on, single-gang boxes with enhanced angled nails for installation between studs or adjustable EZ BOXES with adjustable brackets for the perfect fit on tile backsplashes, CANTEX has your solution. EZ BOXES are easy to install, long-wearing, and maintenance-free. CANTEX offers almost 100 styles of EZ BOXES in multiple sizes and gang applications to meet all of your new and old work project needs. You can choose from one of our many wall, ceiling or ceiling fan boxes.

CANTEX EZ BOXES are all either ETL or UL listed for use as in Article 314 of the National Electrical code. They are also 2-hour fire-rated when applicable. Plus, the CANTEX EZ Box line is backed by over 60 years of experience manufacturing unrivaled American-made electrical products.