

EZ BOX® 1-Gang, 22 cu. in., ENT Electrical Box



EZ BOX EN22SB is a 1-gang ENT box designed for use with electrical non-metallic tubing (ENT). This 22 cu. in. box is the largest capacity ENT 1-gang box available today. It features ample room for all necessary wiring. This box includes 1/2, 3/4 and 1 inch concentric knockouts to fit multiple sizes of ENT tubing and fittings.

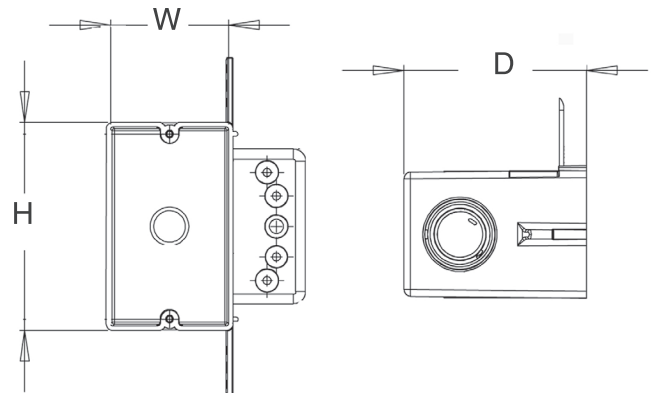
- Suitable for masonry walls
- Flange for easy mounting to wood or steel wall studs
- Engineered for easy, cost saving installation and constructed with resilient PVC for durability
- ETL Listed, ETL 2 Hour Fire-rated
- Made in USA



2 hour fire-rated

Part Number	Carton Quantity	Height	Width	Depth
EN22SB	25	3.690	2.250	3.250

Dimensions are nominal



CANTEX ENT Line (Electrical Nonmetallic Tubing)

EZ Flex® Flexible ENT Electrical Nonmetallic Tubing is a high performance, low cost alternative to electrical metallic tubing. Since the corrugated design allows bending by hand, it eliminates the need for bending equipment and/or special tools, which reduces installation time dramatically.

Our EZ BOX® ENT Boxes are designed for use with our light, flexible and strong ENT Tubing. With specifically designed concentric knockouts, they are perfect for creating ENT electrical systems with ENT Tubing and ENT fittings. All our PVC ENT products are made of resilient non-conductive PVC that won't corrode or conduct electricity. They can be used with ENT snap-in fittings or standard Schedule 40 fittings.

CANTEX offers a complete line of ENT tubing, fittings and accessories to meet all of your electrical ENT needs. Since our ENT fittings & accessories connect seamlessly with our ENT tubing, they make it easy to convert entire electrical infrastructures through a single source—CANTEX.

