

EZ BOX® Low Voltage Brackets

CANTEX EZ BOX Low Voltage Brackets are designed specifically for the installation of low-voltage devices. CANTEX offers Low Voltage Bracket designs for both old (renovations) and new work (construction) applications. These brackets accommodate the space and bend-radius requirements of coaxial and communication cables. They also eliminate the need for metal plates, screws and lags. These low-voltage brackets are engineered for easy, cost saving installation and constructed with resilient PVC for durability. The orange color makes them easy to identify as low voltage. CANTEX EZ BOX Low Voltage Brackets are part of a complete line of non-metallic electrical switch, outlet and ceiling boxes in multiple sizes and styles for all new construction and renovation project needs.

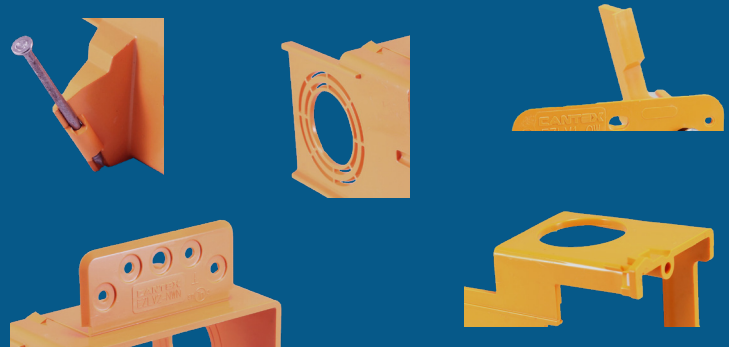


BACKLESS FOR LOW VOLTAGE



Backless box designs accommodate the space and bend-radius requirements of coaxial and communication cables.

CANTEX Low Voltage EZ BOX brackets feature several intallation and wiring options.



EZ BOX® 1-Gang, Old Work, Low Voltage Bracket



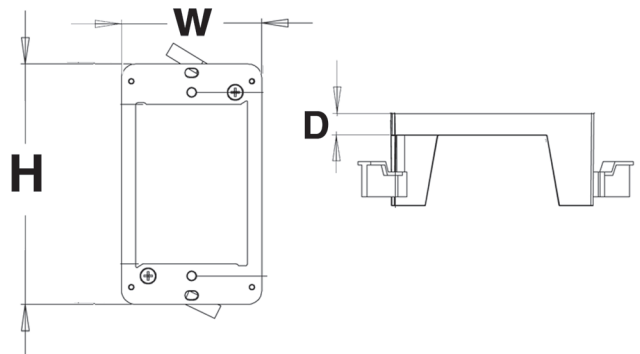
EZLV1-OW is a 1-gang EZ BOX old work, low voltage bracket used for low voltage installations in renovation (old work) applications. The backless design is great for the large or deep low-voltage wiring needed for communications and cable installations. It fits standard 1-gang faceplates.

- Convenient swing brackets to clamp bracket in place
- Wing tabs allow for easy & secure mounting
- Orange color easily identifies the low voltage application
- ETL Listed
- Engineered for easy, cost saving installation and constructed with resilient PVC for durability
- Made in USA

1-Gang Low Voltage Bracket

| Part Number | Carton Quantity | Height | Width | Depth |
|-------------|-----------------|--------|-------|-------|
| EZLV1-OW | 12 | 4.300 | 2.500 | 1.65 |

Dimensions are nominal



ORANGE COLOR
easily identifies
low voltage application.

EZ BOX® 2-Gang, Old Work, Low Voltage Bracket



EZLV2-OW is a 2-gang EZ BOX old work, low voltage bracket used for low voltage installation in renovation (old work) applications. The backless design is great for the large or deep low-voltage wiring needed for communications and cable installations, and it fits standard 2-gang faceplates.

- Convenient swing brackets clamp bracket in place
- Wing tabs allow for easy & secure mounting
- Orange color easily identifies the low voltage application
- ETL Listed
- Engineered for easy, cost saving installation and constructed with resilient PVC for durability
- Made in USA

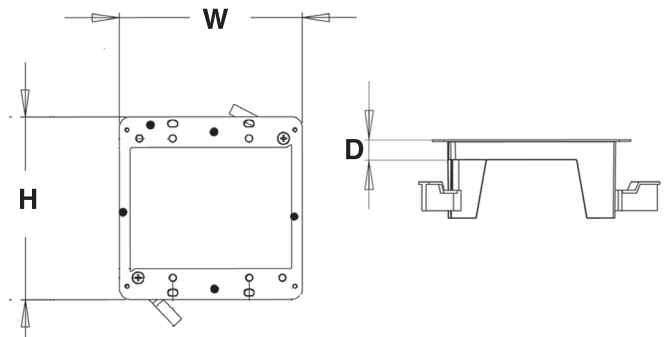
ORANGE COLOR
easily identifies
low voltage application.



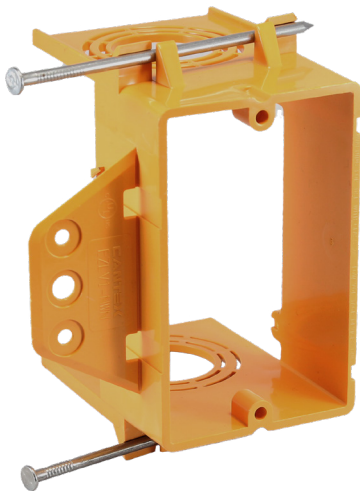
2-Gang Low Voltage Bracket

| Part Number | Carton Quantity | Height | Width | Depth |
|-------------|-----------------|--------|-------|-------|
| EZLV2-OW | 6 | 4.300 | 4.310 | 1.650 |

Dimensions are nominal



EZ BOX® 1-Gang, New Work, Low Voltage Bracket



EZLV1-NWN EZ BOX is a 1-gang, new work, low voltage bracket with nails used for low voltage installations for new construction projects (new work) applications. The backless design is great for the large or deep low-voltage wiring needed for communications and cable installations, and it fits standard 1-gang faceplates. Round concentric knockouts allow for multiple fitting sizes.

- Molded bracket easily mounts on wood or steel studs
- Enhanced angled nails for easy mounting between studs
- ETL Listed
- Engineered for easy, cost saving installation and constructed with resilient PVC for durability
- Made in USA

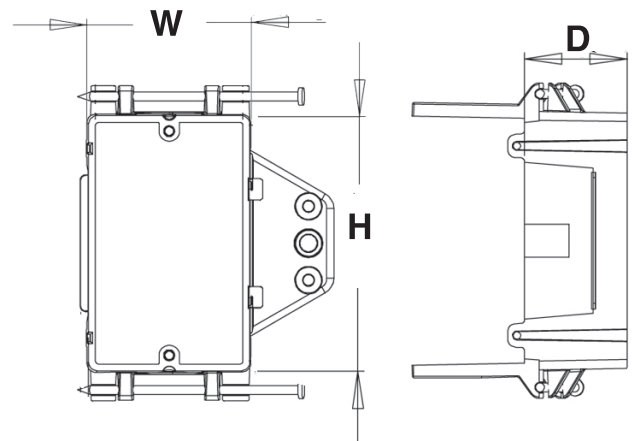
ORANGE COLOR
easily identifies
low voltage application.



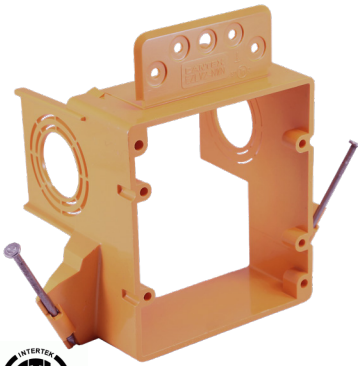
1-Gang Bracket with Nails

| Part Number | Carton Quantity | Height | Width | Depth |
|-------------|-----------------|--------|-------|-------|
| EZLV1-NWN | 24 | 3.730 | 2.360 | 3.150 |

Dimensions are nominal



EZ BOX® 2-Gang New Work Low Voltage Bracket



ORANGE COLOR
easily identifies
low voltage application.

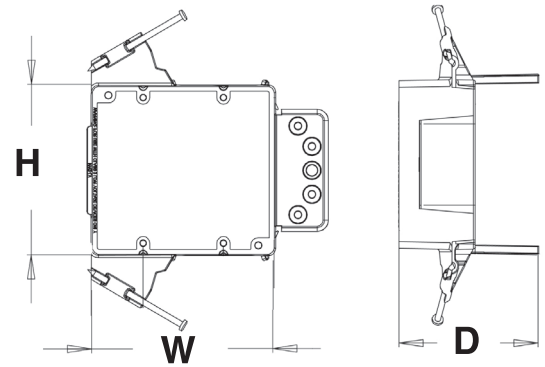
EZLV2-NWN EZ BOX is a 2-gang, new work, low voltage bracket used for low voltage installations for new construction projects (new work) applications. The backless design is great for the large or deep low-voltage wiring needed for communications and cable installations, and it fits standard 2-gang faceplates. Round concentric knockouts allow for multiple fitting sizes.

- Molded bracket easily mounts on wood or steel studs
- Enhanced angled nails for easy mounting between studs
- ETL Listed
- Engineered for easy, cost saving installation and constructed with resilient PVC for durability
- Made in USA

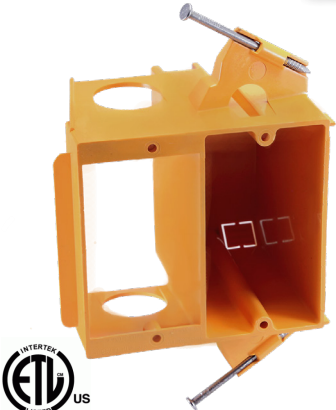
2-Gang Bracket with Nails

| Part Number | Carton Quantity | Height | Width | Depth |
|-------------|-----------------|--------|-------|-------|
| EZLV2-NWN | 24 | 3.800 | 4.100 | 3.150 |

Dimensions are nominal



EZ BOX® 2-Gang, New Work, Dual Voltage Bracket with Nails



ORANGE COLOR
easily identifies
low voltage application.

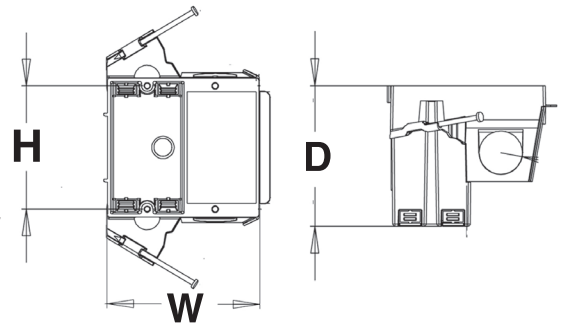
EDV2B EZ BOX is a 2-gang, new work, dual voltage bracket used in construction (new work) applications where dual-voltage applications need to be side by side. The backless design is great for the large or deep low-voltage wiring needed for communications and cable installations, and it fits standard 2-gang faceplates. Four knockouts and two round openings for EZ installation.

- Designed for dual voltage applications
- Enhanced angled nails for easy mounting between studs
- ETL Listed
- Engineered for easy, cost saving installation and constructed with resilient PVC for durability
- Made in USA

2-Gang Dual Voltage Box/Bracket

| Part Number | Carton Quantity | Height | Width | Depth |
|-------------|-----------------|--------|-------|-------|
| EDV2B | 16 | 3.800 | 4.000 | 3.670 |

Dimensions are nominal



EZ BOX® Low Voltage Divider for Use with Multi-gang Heavy Wall Boxes



ORANGE COLOR
easily identifies
low voltage application.

EZLV2-SW EZ BOX low voltage divider is used with heavy wall PVC electrical boxes to allow the installation of a communication device in a closed back multi-gang deep box along with a standard switch or outlet device. EZLV2 is used with the following CANTEX multi-gang heavy wall EZ BOXES: EZ35DN-HW, EZ53TN-HW, and EZ64QN-HW.

- Transforms a high voltage box into an accepted high and low voltage box
- Can be used with CANTEX standard 2 and 3 gang PVC Heavy Wall electrical boxes
- ETL Listed
- Engineered for easy, cost saving installation and constructed with resilient PVC for durability
- Made in USA

Low Voltage Divider

| Part Number | Carton Quantity | Height | Width | Depth |
|-------------|-----------------|--------|-------|-------|
| EZLV2-SW | 50 | 3.400 | 3.400 | .100 |

Dimensions are nominal

