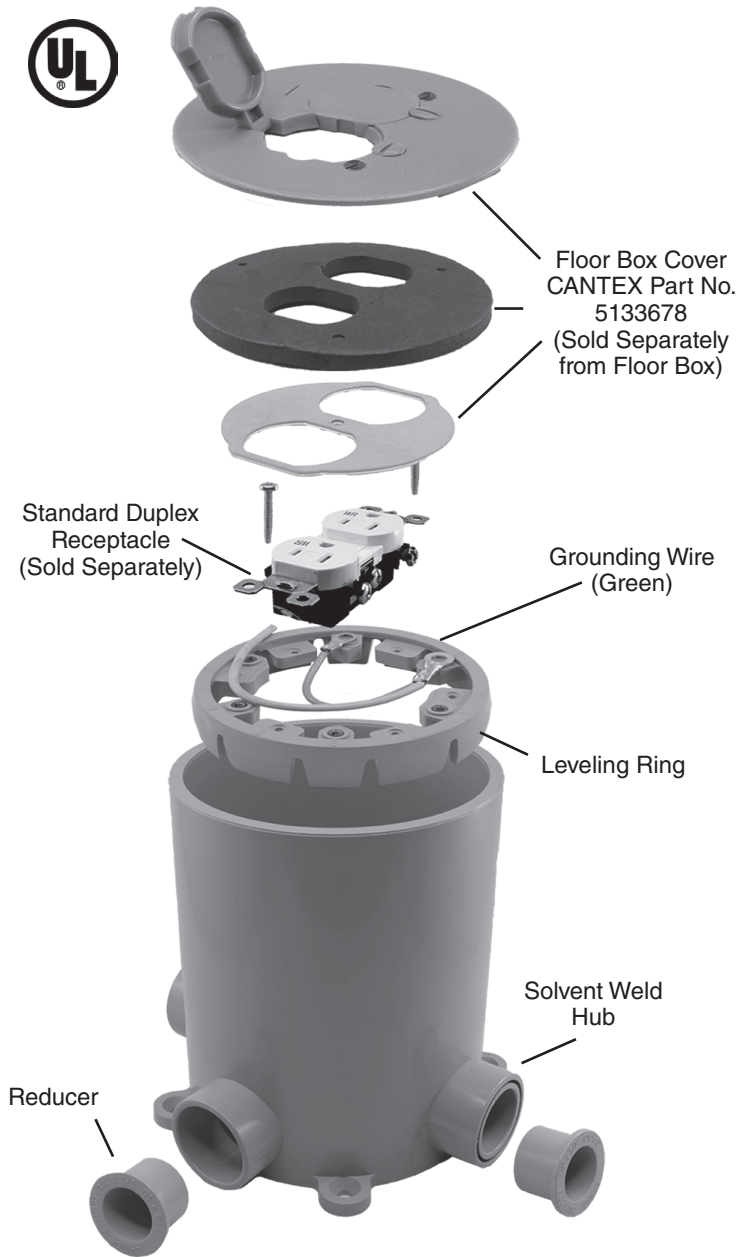




PVC FLOOR BOX

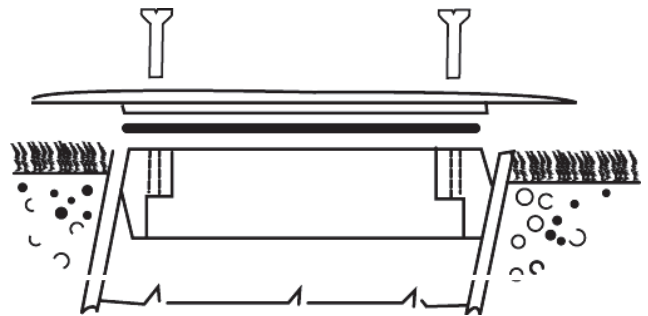
Part Number
5133758 & 5133760



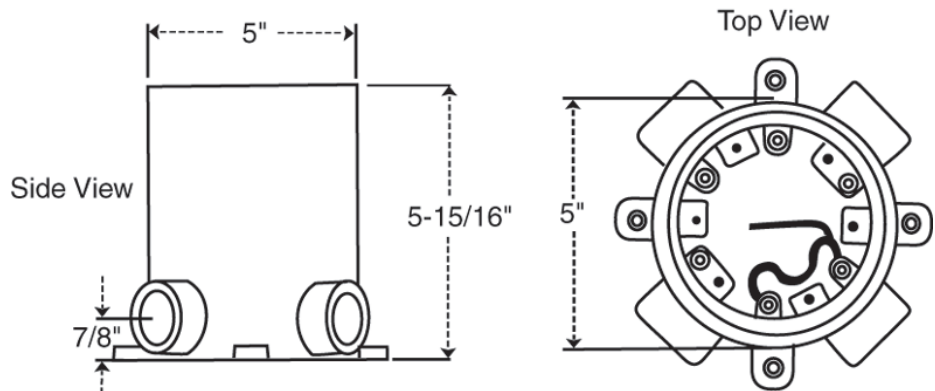
- Cover can be removed after installation for wiring and replacement of floor coverings
- 90 cubic inch (1475 cm³) volume
15.9 cubic inch per inch of depth
- Duplex cover includes screws, receptacle cover, receptacle frame and gasket (Part number 5133678 / sold separately)
- Floor box #5133760 features four (4) 3/4" hubs and includes four (4) 3/4" to 1/2" reducers, leveling ring and flexible pour cover
- Floor box #5133758 has two (2) 3/4" hubs and two (2) 1" hubs. Included are two (2) 3/4" to 1/2" reducers, two (2) 1" to 3/4" reducers, leveling ring and flexible pour cover
- Underwriters Laboratories listed

Patented Leveling Ring Feature

- Greater contact surface for solvent welding to floor
- Will compensate for 10° misalignment



Dimensions



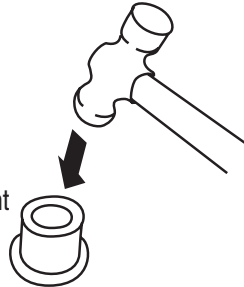
Assembly of Leveling Ring, Cover and Electrical Device

The CANTEX Leveling/Adapter Ring is designed to allow the use of brass, bronze, aluminum and plastic covers of virtually any style. Please note the following installation suggestions:

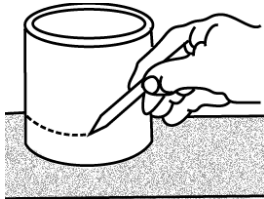
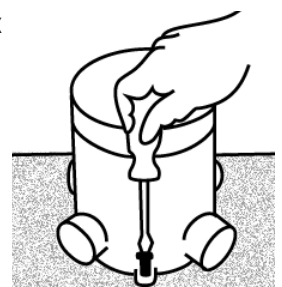
1. Metal covers smaller than 4 3/4" diameter should be used in conjunction with a carpet or floor covering adapter ring.
2. The CANTEX plastic cover, part number 5133678 (sold separately) is mounted to the leveling ring by three screws that come with the plastic cover. These screws will fit three sets of device holes marked 1, 2 or 3.
3. Two 3 hold bolt patterns are provided in the leveling ring marked "A" and "B"; one of which will fit covers of most available brands, which use 3 screws through the exposed face of the cover. The cover should be rotated until the receptacle screws match holes 1, 2 or 3 and the cover holes match holes "A" or "B". See leveling ring illustration. To guarantee grounding continuity for 3-hole metal covers, one of the cover mounting screws will be installed into either hole set "A" or "B" that have the green ground wire "pigtaills" available for attachment to the system ground conductor.

NOTE: If the receptacle or other device is mounted directly to the leveling ring, it must also be grounded.

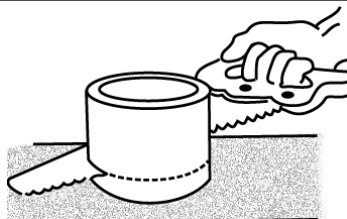
- 1** Select reducer bushings needed for installation. Bushings are used to size the hubs for the conduit or to blind unused ones. To assure a clean knock-out of the bushing membrane, use the ball end of a small ball peen hammer or a large blunt punch before installing. Then insert the bushing and solvent cement into the box.



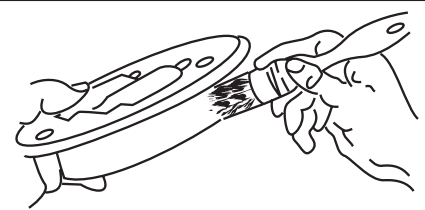
- 2** Secure the box to concrete form. Be sure the pour cover is in place to keep concrete out of the box.



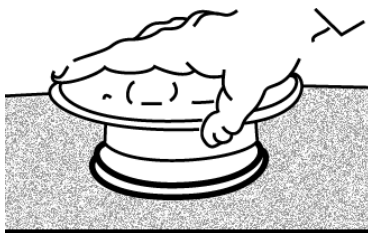
- 3** Scribe line around box to finish height.



- 4** Cut off excess with wood saw.



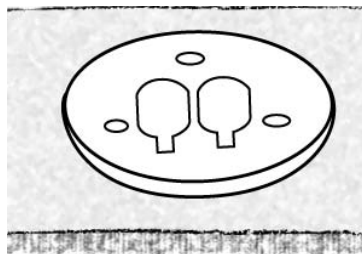
- 5** Attach ring to cover and apply solvent cement to leveling ring.



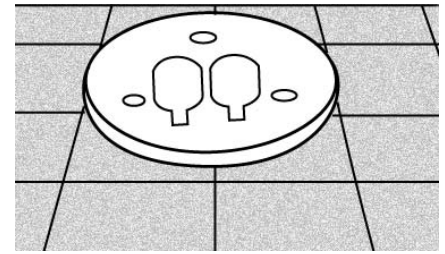
- 6** Push down and hold until cover is secure.

Finished Installation

Carpet



Tile

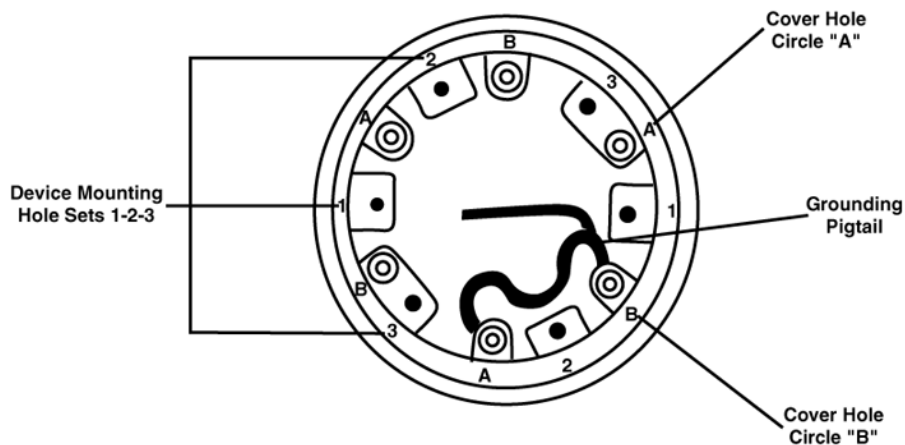




The patented CANTEX PVC floor box ring, illustrated below, is designed to fit several other manufacturers' floor boxes as well as the CANTEX floor box. The ring is also designed to fit a number of manufacturers' covers, both 3-hole mounted through the surface of the cover and 2-screw mounted through the electrical device box tabs. Hole patterns "A" and "B" are of slightly different bolt circles, one of which will fit most of the covers on the market. Hole sets 1, 2 and 3 are for mounting the electrical device or the device and the cover together. A green wire pigtail is provided for grounding metal covers.

Below is a chart of known covers which will fit the CANTEX box and/or the CANTEX leveling ring. Other covers may have different mounting patterns.

Floor Box Cover Mfg.	Part NO. & Description	Their Leveling Ring Fits CANTEX Box	Cover Mounts to CANTEX Leveling Ring	Hole Pattern for Mounting Lid/Cover	Holes for Device Mounting	Comments
CANTEX	5133678 Cover	Yes	Yes	1, 2 or 3	1, 2 or 3	
Carlson	E9710T/E971R (Plastic)	Yes	NO	--	--	Level Ring sold with cover
Kraloy	277T/FBLR (Plastic)	Yes	Yes	1, 2 or 3	1, 2 or 3	Comes with or without flange
Walker	8314X (Plastic)	--	Yes	B	1	
Walker	2183 (Brass)	--	Yes	B	1	
Walker	1018 (Brass)	--	Yes	B	1	
Steel City	Aluminum	No	Yes	A	2	
Steel City	Brass Flip Top	No	Yes	A	--	4" Dia.-Needs flanged ring
Steel City	Brass Duplex	No	Yes	A	1	
Raco	5549 Brass Duplex	No	Yes	B	1 or 2	4-1/4" Needs flanged ring
Raco	Brass Adapter Ring	--	Yes	B	2	Adapter Ring for 4-1/4" cover
Hubbell	232A Brass Duplex	--	Yes	A	2	Needs flanged ring 3/7/8" Dia.
Hubbell	P6347 Carpet Ring (Plastic)	--	Yes	3	2	Fits 232A Brass Lid



**CANTEX****CANTEX®**

Your Single Source for ALL PVC Electrical Products

If you want to learn more about our complete line of PVC Electrical Pipes, Fittings and Boxes visit us at www.cantexinc.com.

- Schedule 40 & 80 Pipe/Conduit
- Utility Grade Forte-Duct® Cellular Foam Core Conduit & Duct
- PVC Electrical Fittings & Accessories – Molded and Fabricated
- CAN>LOC® Schedule 40 Conduit System for directional drilling or trenchless raceway applications
- CAN>GRIP® Schedule 40 Conduit System for directional drilling or trenchless raceway applications
- Utility Duct – NEMA TC6 and TC8 EB/DB and ASTM DB100
- Telephone Conduit
- Utility & Communication Duct Fittings & Accessories
- Elbows, Bends & Sweeps – Standard & Special Radius (in schedule 40, 80 and utility duct)
- EZ-Flex® Electrical Nonmetallic Flexible ENT Tubing & Fittings
- Enviro-Flex® Liquidtight Conduit & Fittings
- EZ BOX® Switch, Outlet and Ceiling Boxes
- Cements
- EZ GUARD® Wildlife Protector

BACKED BY SEVEN DECADES OF MANUFACTURING
SUPERIOR QUALITY AMERICAN-MADE PVC ELECTRICAL PRODUCTS.

CANTEX INC. | 301 Commerce Street, Suite 2700, Fort Worth, TX 76102 | 817.215.7000 | www.cantexinc.com