

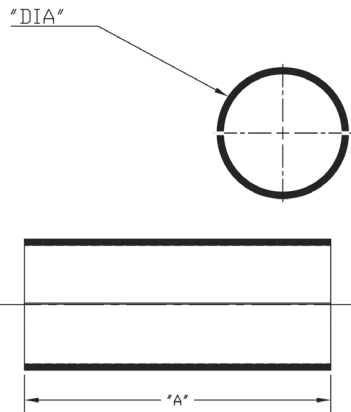
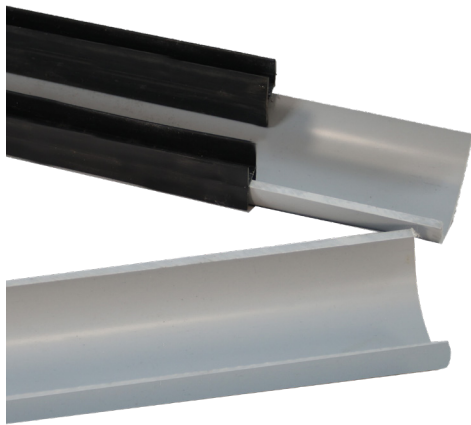
NEW PVC Schedule 40 Split Duct System-10' Lengths

NEW CANTEX Schedule 40 PVC Split Duct Conduit is designed to make conduit repairs faster, easier, and more cost-effective. It allows damaged conduit in existing installations to be fixed without cutting or splicing cables—saving both time and labor.



This versatile, budget-friendly PVC split duct also serves as a practical solution for temporary cable protection during construction projects. In addition, it's ideal for rerouting, raising, or lowering existing duct banks, making it a reliable choice for a wide range of applications.

- Nonmetallic PVC which is corrosion, rust and sunlight resistant
- Conforms to UL651 and NEMA TC-2
- More economical for repairing damaged conduit
- Made from ETL Schedule 40 PVC Conduit
- Suitable for above-ground or buried use
- Made in USA



Part No.	Size	"DIA"	A
A52CASD	2	2.375	10'
A52DASD	3	3.500	10"
A52EASD	4	4.563	10'
A52FASD	5	5.625	10'
A52GASD	6	6.563	10'

Dimensions are nominal

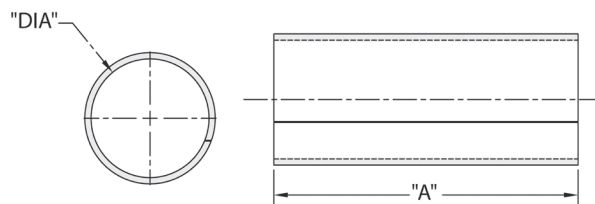
This product is not UL Listed
Dimensions conform to UL 651 Specification

NEW CAO Split Duct System-10' Lengths

CANTEX NEW CAO Split Duct System enables fast repair of damaged CAO conduit without removing existing wires. Ideal for above-ground or other applications where full Schedule 40 strength isn't required, it meets needs where a lighter-duty conduit is permitted. It's also a practical solution for temporary cable protection and for rerouting, raising, or lowering existing duct banks—helping keep projects on track with minimal disruption.



- Application-specific for lighter-duty options
- Nonmetallic PVC which is corrosion, rust, and sunlight resistant
- Conforms to UL651 and NEMA TC-2
- More economical for repairing damaged conduit
- For use with CAO type conduit
- Made in USA



Part No.	Size	"DIA"	"A"
A94EASD	4	4.350	10'

Dimensions are nominal

This product is not UL Listed
Dimensions conform to UL 651 Specification