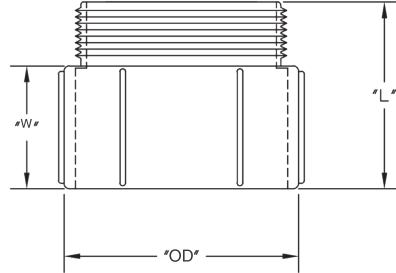


## Male Terminal Adapter

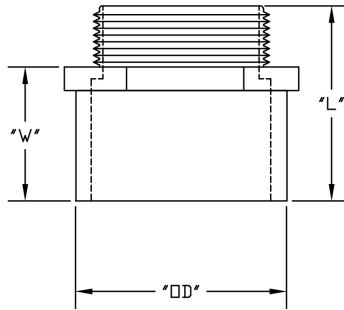
### 1/2" through 3/4" and 1-1/4 to 1-1/2 "Terminal (Male) Adapter

Male Terminal Adapters are connectors used to transition from a spigot end PVC conduit to a threaded metal or PVC plastic female bell end. Male Terminal Adapters can also be used to connect PVC conduit to a box or other threaded body with use of a lock nut. The fittings consist of one solvent weld female end and one threaded male end. Both ends will fit the same diameter conduit.



- Durable non-conductive PVC will not rust or corrode
- For use with Schedule 40 & 80 and EB & DB applications
- Meets NEMA TC-3 Standards
- UL listed
- Made in USA

### 1" Terminal (Male) Adapter



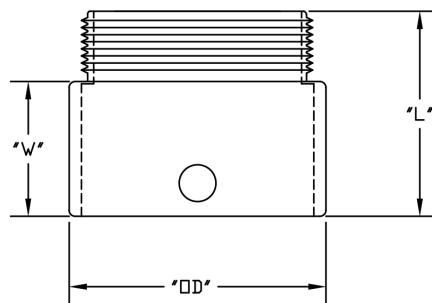
| Part Number | Trade Size | Carton Qty. | "OD"  | "L"   | "W"   |
|-------------|------------|-------------|-------|-------|-------|
| 5140103     | 1/2        | 200         | 1.075 | 1.308 | .740  |
| 5140104     | 3/4        | 125         | 1.280 | 1.440 | .875  |
| 5140106     | 1-1/4      | 40          | 2.000 | 2.125 | 1.313 |
| 5140107     | 1-1/2      | 30          | 2.188 | 2.063 | 1.313 |

Dimensions are nominal

| Part Number | Trade Size | Carton Qty. | "OD"  | "L"   | "W"   |
|-------------|------------|-------------|-------|-------|-------|
| 5140105     | 1          | 70          | 1.625 | 2.188 | 1.500 |

Dimensions are nominal

### 2" through 8" Terminal (Male) Adapter



| Part Number | Trade Size | Carton Qty. | "OD"  | "L"   | "W"   |
|-------------|------------|-------------|-------|-------|-------|
| 5140108     | 2          | 40          | 2.688 | 2.188 | 1.375 |
| 5140109     | 2-1/2      | 20          | 3.313 | 2.875 | 2.000 |
| 5140110     | 3          | 40          | 3.938 | 3.000 | 2.188 |
| 5140111     | 3-1/2      | 30          | 4.500 | 3.188 | 2.563 |
| 5140112     | 4          | 20          | 5.000 | 3.438 | 2.563 |
| 5140113     | 5          | 10          | 6.250 | 4.750 | 3.000 |
| 5140114     | 6          | 8           | 7.313 | 4.938 | 2.688 |
| 5140115D*   | 8          | 2           | --    | --    | --    |

\*Not UL listed

Dimensions are nominal