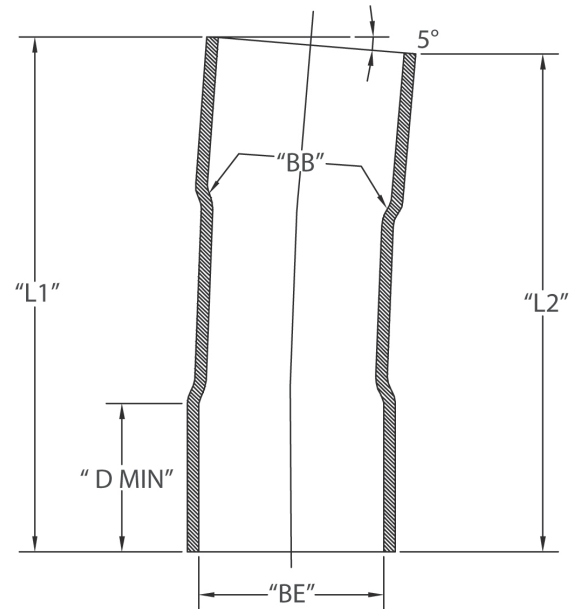


DB60 5° Coupling Bell to Bell End - Fabricated



DB60 5-Degree Coupling Bell to Bell is used to join lengths of conduit/pipe together with a 5-degree change in direction.

- For use with all EB and DB conduit
- Has two bell ends for easy solvent weld installation
- Made from durable corrosion resistant PVC DB60 material
- Made in USA



Part Number	Trade Size	Carton Qty.	"L1"	"L2"	"BE"	"BB"	"D" Min
6151457	2	20	6.250	6.000	2.400	2.381	1.750
6151458	3	25	7.500	7.188	3.538	3.508	2.875
6151459	4	15	8.750	8.375	4.544	4.509	3.375
6151460	5	8	10.500	10.000	5.614	5.573	4.000
6151461	6	4	13.000	12.438	6.687	6.636	5.000

Dimensions are nominal

PVC Fittings & Accessories for the Power Utility and Communication Markets

CANTEX offers a complete line of Fittings and Accessories for the extensive Power, Utility and Communications markets.

All of our PVC fittings are easy-to-install and offer non-conductivity, high impact, tensile strength, industry certifications (where applicable), and resistance to a wide range of chemicals, acids, and salt. Our DB Fittings and Accessories are perfect for direct burial and/or encased burial applications. Since they connect seamlessly with other DB & EB utility products, they make it easy to convert entire electrical infrastructures to PVC through a single source—CANTEX.

