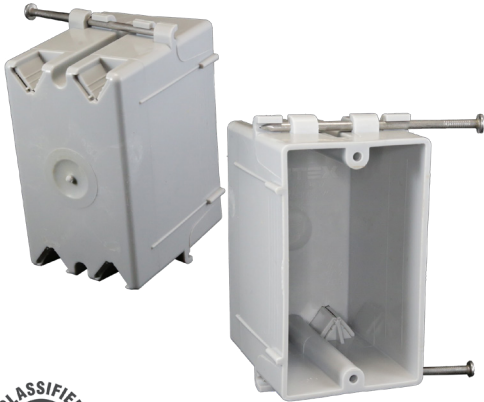


EZ BOX® New Work, Nail-on, Switch and Outlet Box with V-Clamps



EZ18SN, EZ20SN & EZ23SN are 1-gang, new work switch and outlet boxes with enhanced angled nails that make mounting between studs EZ and more secure. This new construction box features four v-clamps making wiring easier during residential and light commercial installations.

- Designed to work with most standard 1-gang devices and switches
- Attached nails for mounting included
- Engineered for easy, cost saving installation and constructed with resilient PVC for durability
- UL Listed, UL 2 Hour Fire-rated
- Made in USA



2 hour fire-rated

18 Cubic Inch

Part Number	Carton Quantity	Height	Width	Depth
EZ18SN	100	3.700	2.250	2.875

Dimensions are nominal

23.3 Cubic Inch

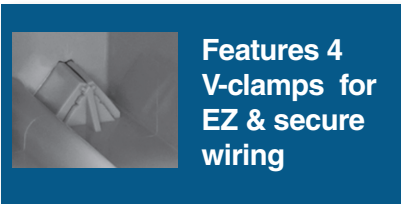
Part Number	Carton Quantity	Height	Width	Depth
EZ20SN	100	3.700	2.250	3.125

Dimensions are nominal

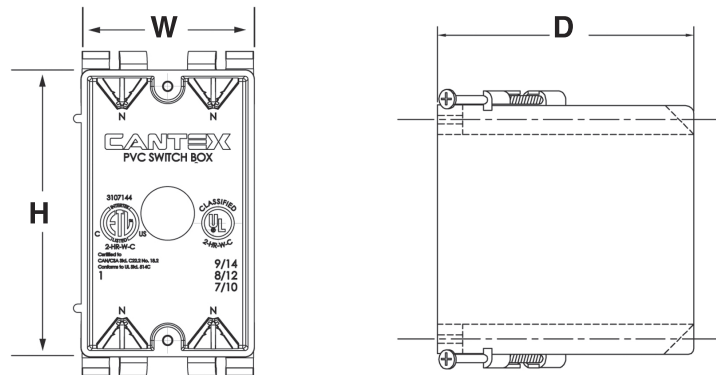
23 Cubic Inch

Part Number	Carton Quantity	Height	Width	Depth
EZ23SN	100	3.700	2.250	3.500

Dimensions are nominal



Features 4 V-clamps for EZ & secure wiring



The CANTEX EZ BOX® Line

The CANTEX EZ BOX® line offers a complete selection of non-metallic electrical switch, outlet and ceiling boxes in multiple sizes and styles to meet all your new construction and renovation project needs. Whether you need EZ nail-on, single-gang boxes with enhanced angled nails for installation between studs or adjustable EZ BOXES with adjustable brackets for the perfect fit on tile backsplashes, CANTEX has your solution. EZ BOXES are easy to install, long-wearing, and maintenance-free. CANTEX offers almost 100 styles of EZ BOXES in multiple sizes and gang applications to meet all of your new and old work project needs. You can choose from one of our many wall, ceiling or ceiling fan boxes.

CANTEX EZ BOXES are all either ETL or UL listed for use as in Article 314 of the National Electrical code. They are also 2-hour fire-rated when applicable. Plus, the CANTEX EZ Box line is backed by over 60 years of experience manufacturing unrivaled American-made electrical products.