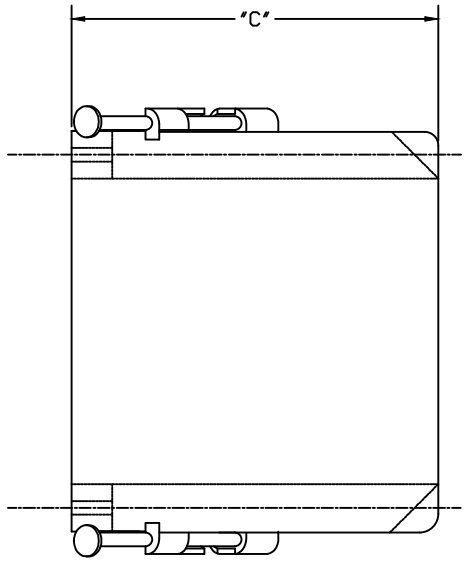
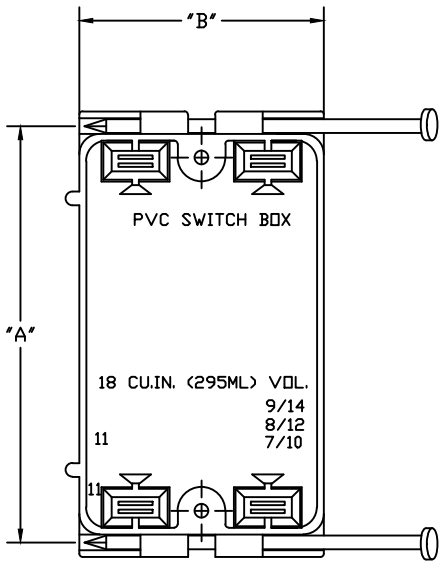
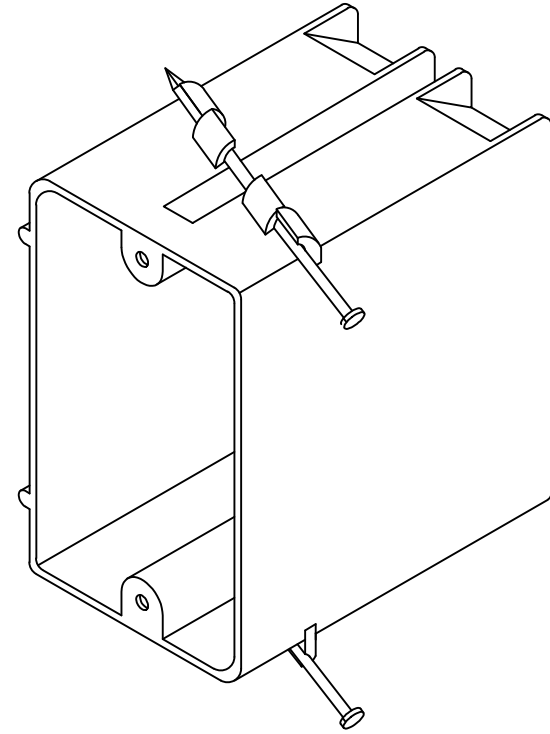


PART NUMBER	SIZE	"A"	"B"	"C"
EZ18SNW	2 1/4" X 3 7/8" X 2 7/8" four knockouts Enhanced angled nails for quick mounting between studs	3 7/8"	2 1/4"	2 7/8"



UL Listed
 UL File # R18795 & E98429
 UL Category Code QCMZ, QBWY & CEYY
 UL 2 Hour Wall Fire Rated
 Suitable for Masonry Walls
 Material is Rigid PVC



CANTEX INC. Fort Worth, TEXAS		
Single Gang EZ Box 18 Cubic Inch, Nail On Single Gang Nonmetallic Nail On Boxes		
Drawn By: O.M.	Date: 7/3/17	Ref. EZ18SNW